

High-Line modules

for better hygiene and safety



Stainless steel designed for your benefit!

EFFECTIVE MACHINE GRATING

- Suitable for the food and pharmaceutical industries
- Designed for hygiene, cleaning-friendliness and safety
- The system utilises open profiles
- Consists of a welded mesh of stainless steel
- No horizontal surfaces
- Adjustable in height and length according to wishes
- Impact tested to withstand loads of 1600 joules
- Compliant with current requirements regarding finger, hand and arm protection



HIGH-LINE BENEFITS

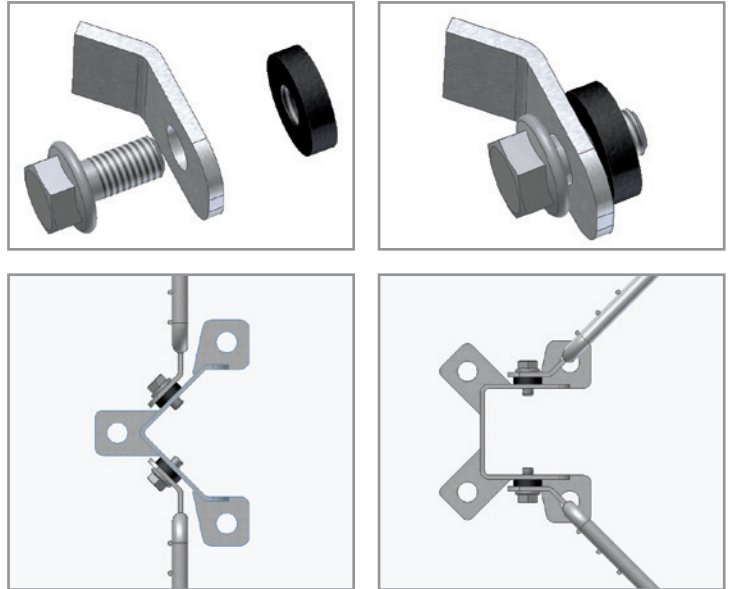
- Patented design allows effective cleaning
- Spacers ensure hygiene in "high risk" zones
- Optional threaded rods for raising off the floor
- Easy assembly - can be assembled by one person
- Meets the requirements of DS/EN ISO 13857-2008
- Built with AISI 304, 1. cl. pickled
- Available in AISI 316 on request



Hygienic design and high functionality

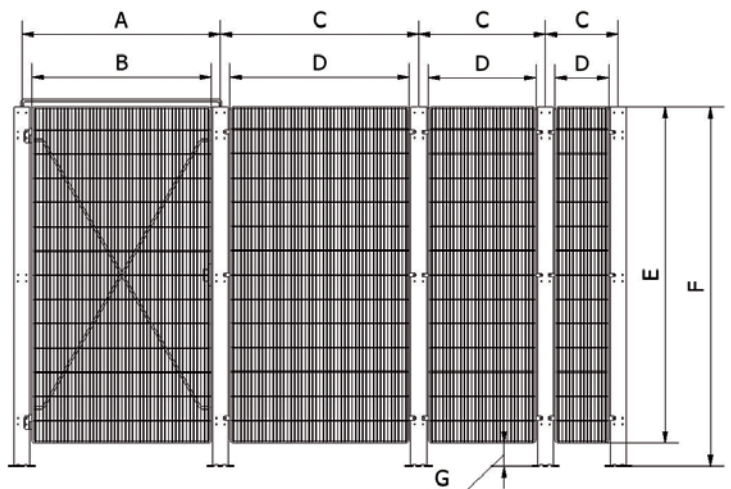
EASY ASSEMBLY

- Joints are made with flange bolts and spacers for better hygiene
- Meets the requirements of annex 1, item 1.4.2.1 of the Machine Directive



2000 MM STANDARD MODULE

LETTER	DESCRIPTION	DIM. IN MM
A	Door module	1106
B	Door width	1000
C	Module	1106/706/406
D	Mesh width	1000/600/300
E	Mesh height	1870
F	Post height	2000
G	Clearance	130
	Type: MESH	135-20
	Type: WIRE	Ø3 mm and Ø4 mm



Available in heights of 2500 and 2700 mm on request.



SLIDING DOOR SYSTEM

- Hygienic and cleaning-friendly sliding door system
- High functionality in everyday use
- No horizontal surfaces
- The large rolling surface provides optimal service life and stability
- The solid and simple locking mechanism ensures effective closure of the sliding door