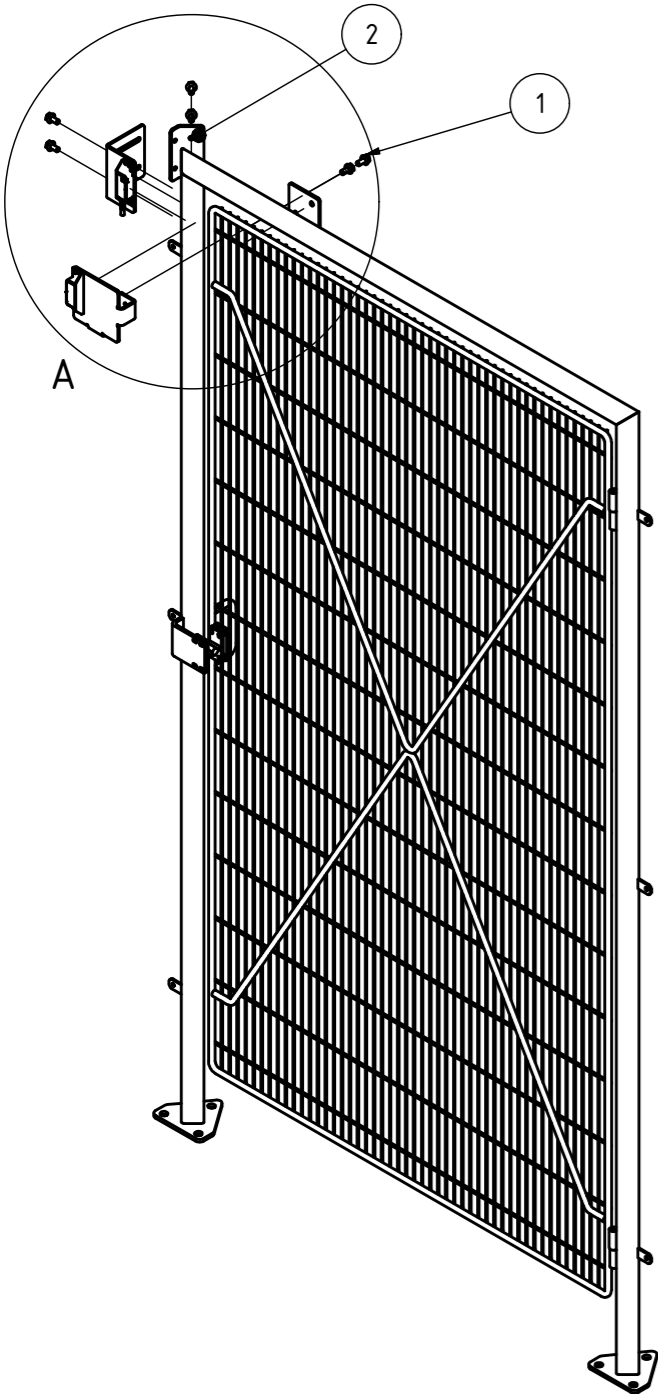
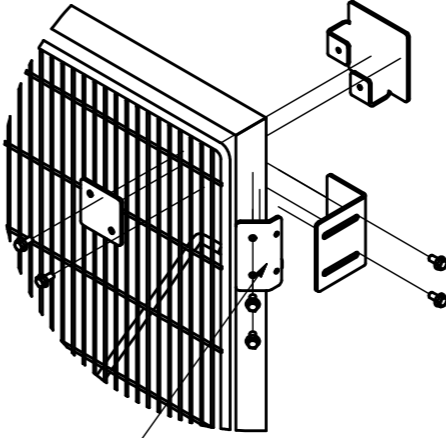
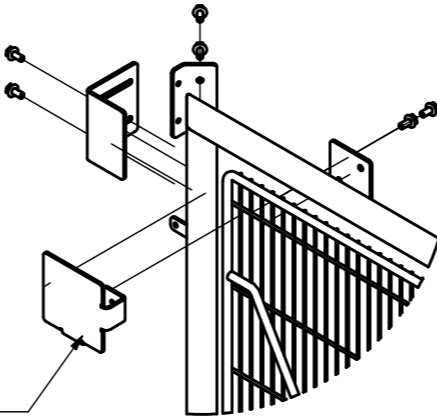


# Universal Sensor Bracket Mounting Guide



A ( 1 : 7,5 )

B ( 1 : 7,5 )



1. Mount the door bracket using bolts and the back plate at chosen height

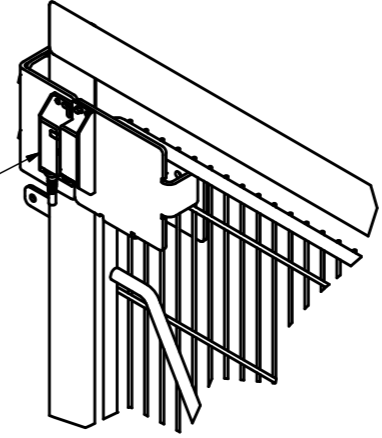
2. Assemble the frame panel using bolts frame bracket and adjusting plate  
Align both plates front and top and mark the two holes on the frame.

3. Remove the bracket and drill 2 pcs. M8 threaded holes on frame

C ( 1:5 )

4. Place the chosen switch/sensor and mark the mounting holes on front side of the plates and drill the holes for mounting  
**\*This can vary to different types!\***

5. Mount the switch/sensor to the brackets and remount brackets to the door



PARTS LIST			
ITEM	QTY	PART NUMBER	DESCRIPTION
1	6	M8 x 16	Bolt
2	1	A003-255	Universal door safety switch bracket kit